

# AMRE SAFETY SEMINAR

THE ASSOCIATION ON MINE RESIDENT ENGINEERS  
WILL BE HOSTING THE SAFETY SEMINAR

@ SIBANYE-STILWATER ACADEMY AUDITORIUM AT 07:30 FOR 08:00

**7TH OF JUNE 2024**

**THEME : INTEGRITY MANAGEMENT OF SHAFT SYSTEMS**



We are delighted to extend our warmest invitation to you for an upcoming safety seminar designed to empower and equip individuals with essential knowledge and practices to ensure a secure and safe and healthy environment.

Our esteemed speakers will share valuable insights and practical tips to enhance your safety practices and mitigate potential risks effectively.

Your active involvement, from initiating discussions to extending invitations and actively participating, will be invaluable to the success of this event. Together, let's work towards fostering a safer and healthier environment for everyone involved.

Please note that the cost to attend is R1250 per member R1500 per non-member

Supplier Kiosks available at R3500 - R5000

Category 3 CPD points for ECSA members

We eagerly anticipate your presence at this enlightening and empowering safety seminar.

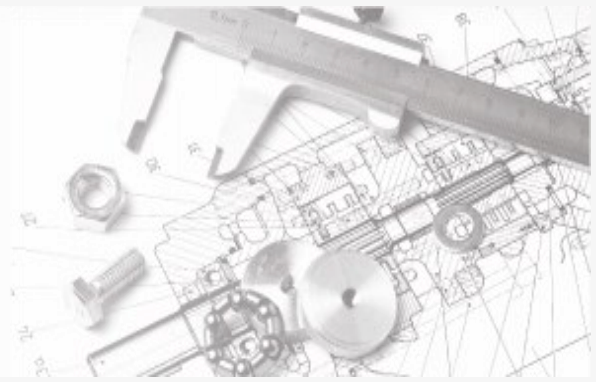
**RSVP: Palesa Tshoane** by the 31st of May 2024

**E: Palesat@mpas.org.za**

**T:0834383680**

**w: www.amre.org.za**





# AMRE SAFETY SEMINAR

## 7TH OF JUNE 2024

### PROGRAMME

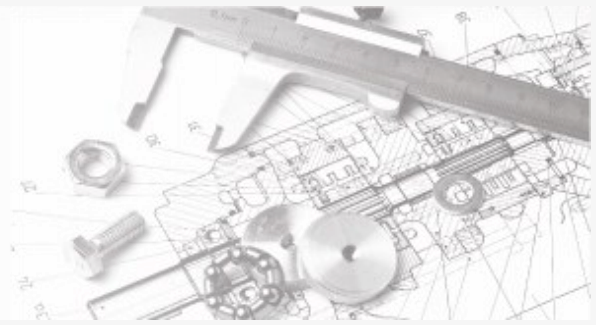
Time: 07H30 - 16h00

07:30 - 08:30	Arrival (Meet & Greet) and Coffee	All
08:30 - 08:40	Welcome and Introductions	Louis Turvey Head of Engineering Manager Goldfields
08:40 - 08:45	Safety Share	Nomvula Ngcobo Asset Engineering Manager Harmony
<b>Presentations</b>		
08:45 - 09:20	Impala 11 Shaft Incident	Tshepo Molapisi Snr Engineering Manager Impala Platinum
09:20 - 09:55	Industry Learnings on Shaft Integrity	John Hartslief DRA
09:55 - 10:30	Case Study— Fatigue analysis of crack propagation on Winder Drum	Dr. M Heyns Investmech
10:30 - 10:45	<b>Break</b>	
10:45 - 11:15	Shaft Structural Scanning	RethabileLetlala DWYKA
11:15 - 12:00	Structural Integrity Management	Charl Cilliers Collaborit
12:00 - 12:30	<b>Lunch &amp; Networking</b>	All
12:30 - 13:00	Conveyance modernization	Juandre Taljaards WJ
13:00 - 13:30	Draft Electrical Regulation impact and Hardrock Electrical Safety	Henk Swart Elect Pr. Eng
13:30 - 14:00	Managing Resolutions and TARP on Shafts	Armand Venter Engineering Manager Gold Fields
14:00 - 14:20	<b>Best Presenter Award, and Closing Address</b>	Kearabetswe Mabe AMRE President
14:20 - 16:00	<b>Networking</b>	ALL

**RSVP: Palesa** by the 31st of May 2024, **E: [palesat@mpas.org.za](mailto:palesat@mpas.org.za)**, **T:0834383680**

**w: [www.amre.org.za](http://www.amre.org.za)**





## AMRE SAFETY SEMINAR 7TH OF JUNE 2024 BOOKING FORM

### PERSONAL DETAILS

Title ..... First Name ..... Other Initials ..... Membership no. ....  
Surname/Family Name .....  
Company/ Mine ..... Division ..... Designation.....  
Tel/Cell ..... E-mail .....

**Special requirements:** Please advise of any special requirements diet, health, or physical disabilities.  
.....

### INVOICING DETAILS

Company VAT Registration No ..... Purchase Order No .....  
Invoice Address .....  
..... Code ..... Accounts Contact Person.....  
Accounts Tel ..... Accounts E-mail .....

### REGISTRATION COST

**All prices are inclusive of 14% VAT.**

Member	R 1 250 - 00
Non-Member	R 1 500 - 00
Exhibition Space (Free Standing)	R 3500 - R5000

Total-R

### **Cancellation and transfer policy:**

*Persons unable to attend the event may send a substitute in their place. Written details of substitution must be made. Written cancellations must be received more than 5 working days prior to the date of the event. Failure to cancel, or cancellation received 5 working days or less prior to the event date, will result in liability for 100% of the registration fee.*

Signature: .....

Date: .....

### PAYMENT

#### BANK ACCOUNT DETAILS

Account Name: Association of Mine Resident Engineers  
Bank: First National Bank  
Branch: Main Street  
Branch Code: 251705  
Account No: 50510161602  
Account Type: Cheque Account  
Swift Code: FIRNZAJJ

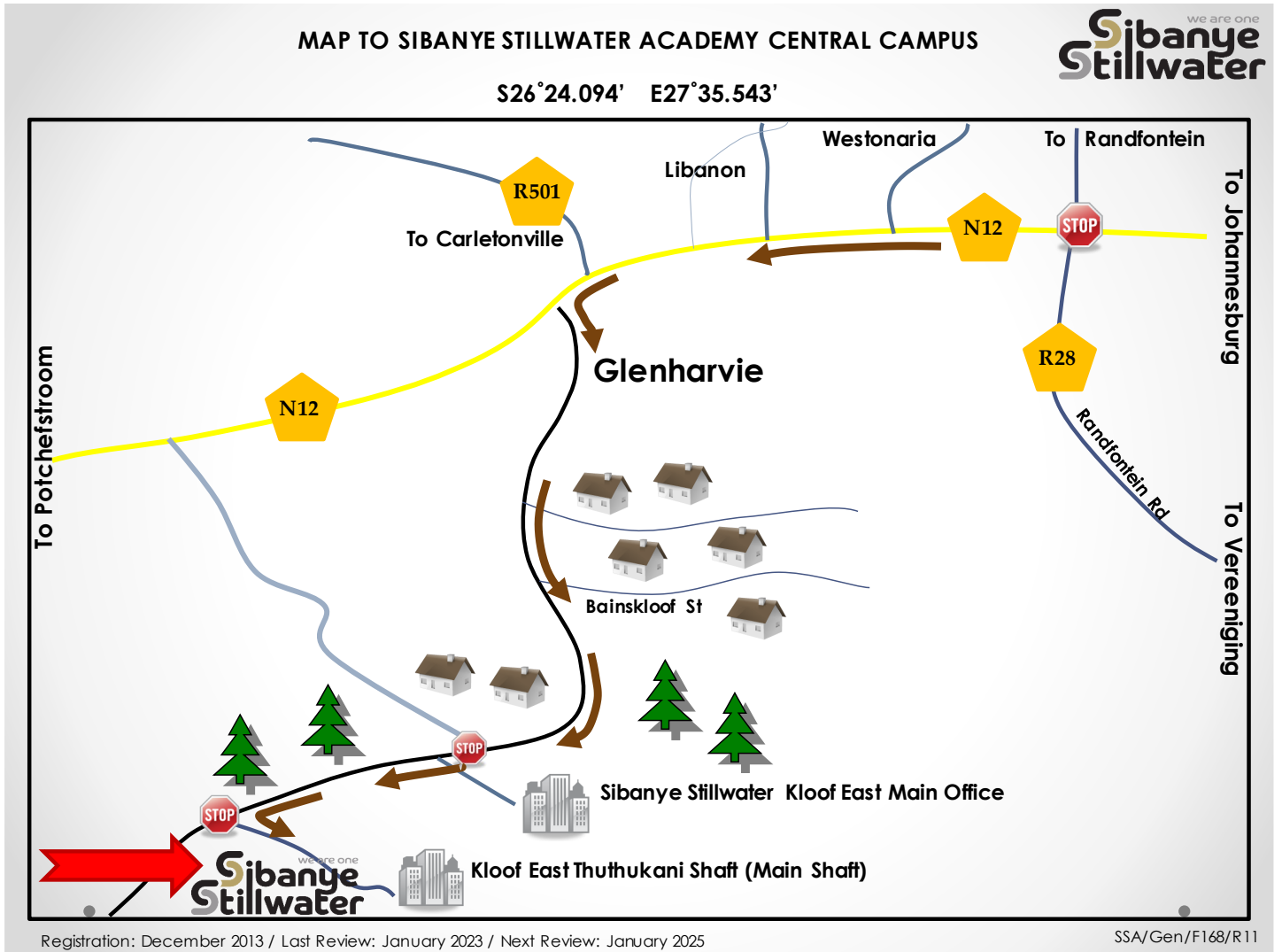
#### **Payment:**

*Full payment is due on application of registration. Registration will be confirmed ONLY after payment is received. PROOF OF PAYMENT with your invoice number reflected must be sent via fax or e-mail.*

**RSVP: Palesa** by the 31st of May 2024, **E:palesat@mpas.org.za** , **T:0834383680**

**w:** [www.amre.org.za](http://www.amre.org.za)

DIRECTIONS TO THE VENVE:



CO-ORDINATES TO THE VENVE:

<https://maps.app.goo.gl/YgtQ3pymJeUoX7fW6>